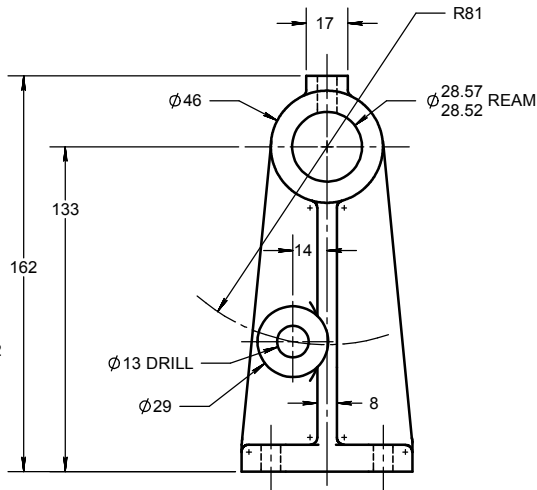
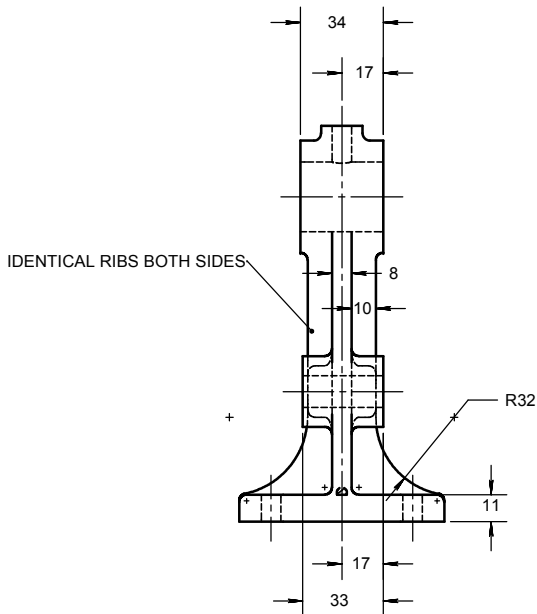
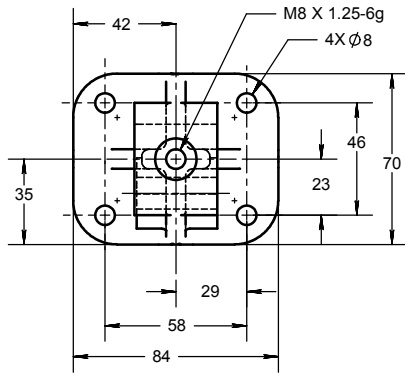


NOTE: 1. ALL FILLETS AND ROUNDS R3



METRIC



MOUNTAIN VISTA HIGH SCHOOL

ENGINEERING AND DESIGN - SOLID WORKS PROJECT

TITLE: BEARING BRACKET - E&G SWX 6

SCALE: 1:1

DRAWN BY: MVHS STUDENT

DATE: PERIOD: 1B

CHECKED BY: K. ALLISON

SCORE:

SHEET 1 OF 1