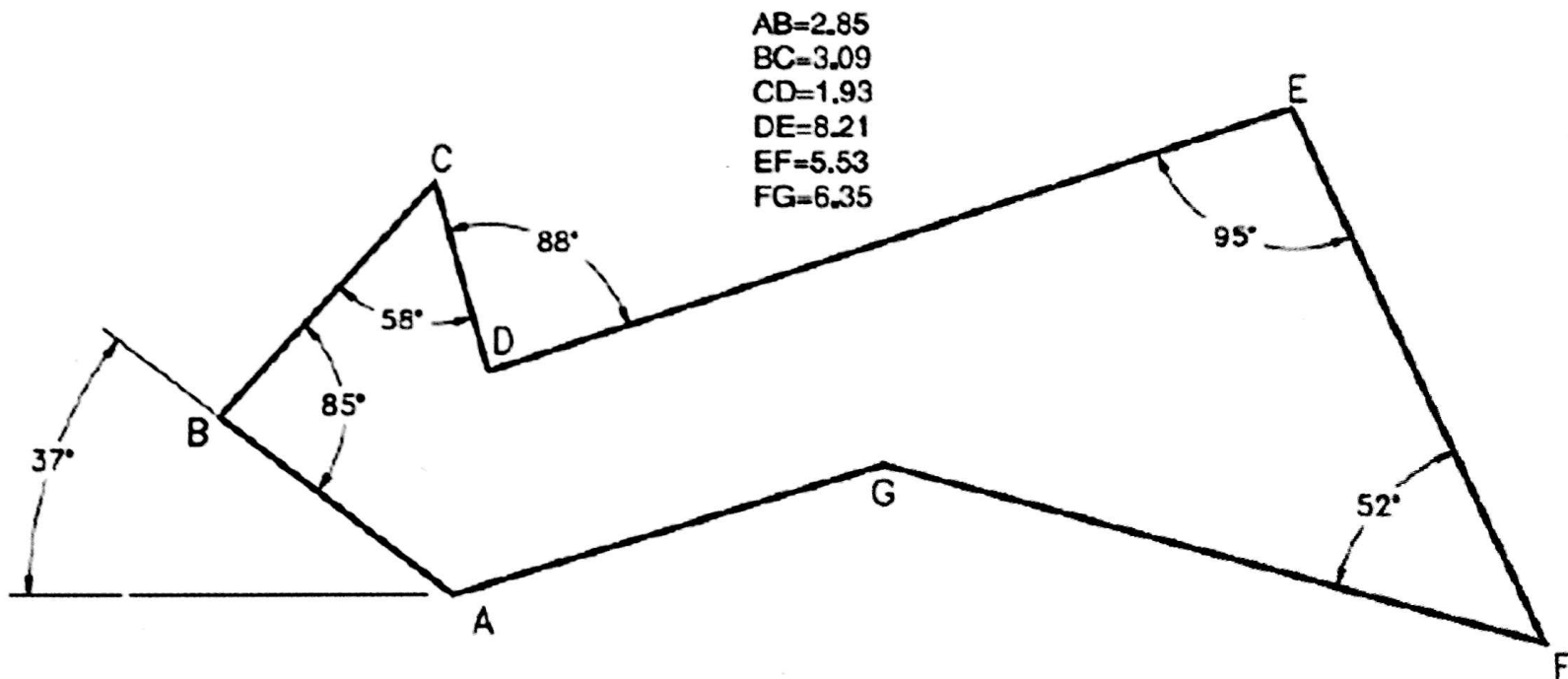


## PROCEDURE

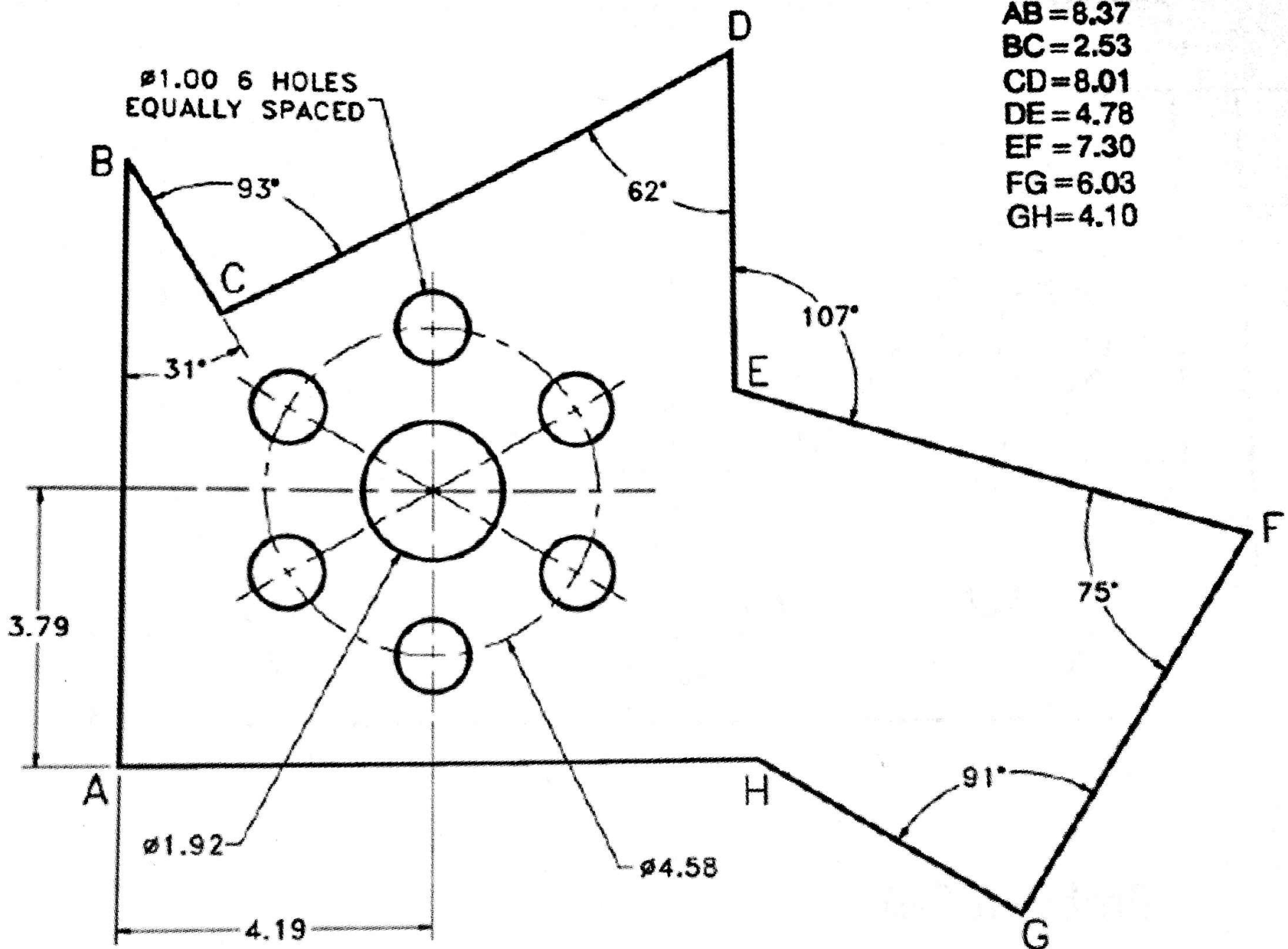
---

Develop constrained sketches using geometric and dimensional constraints for the 2-D shapes.

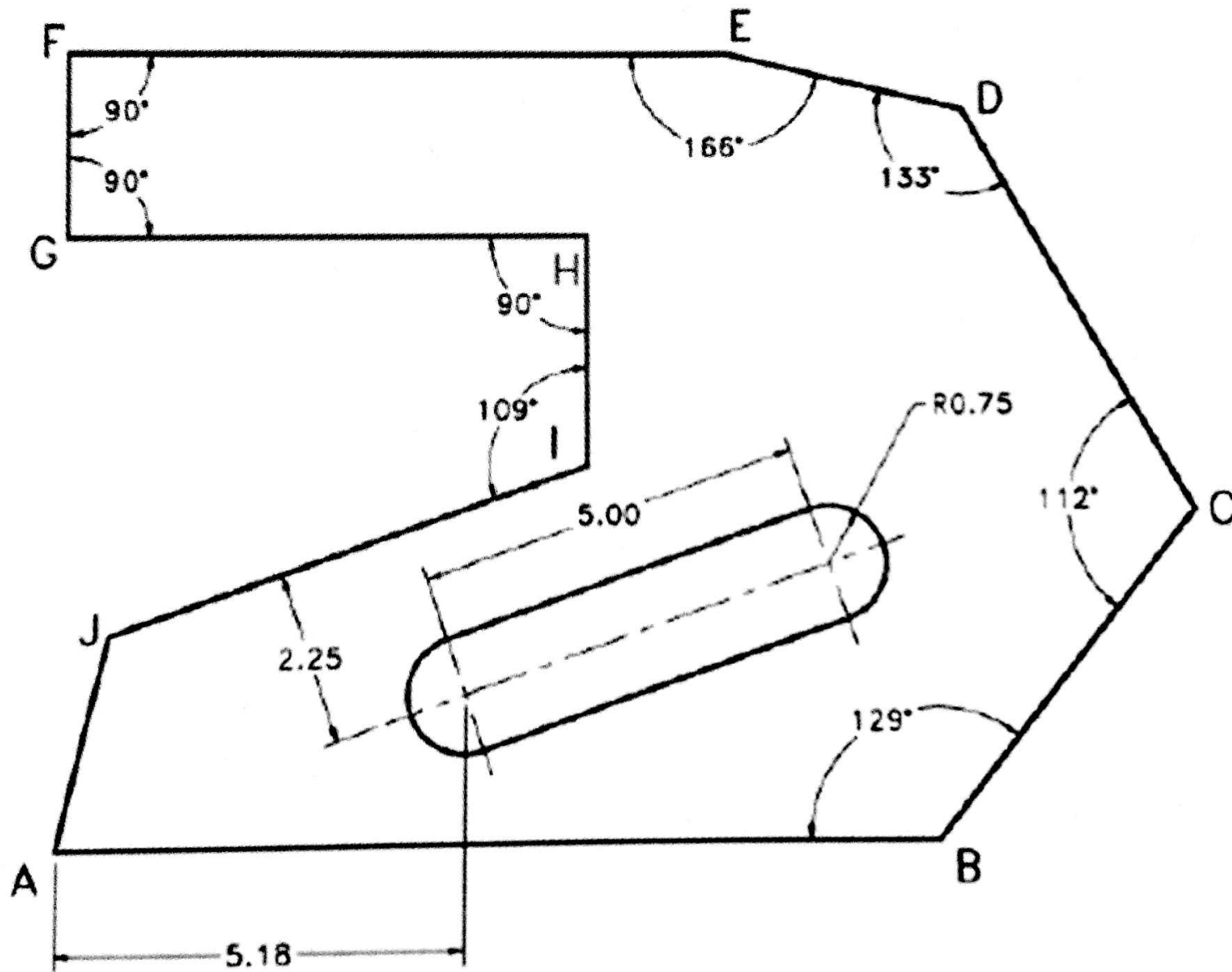
### Problem 2-1



# Problem 2-2



# Problem 2-3



- AB = 11.29
- BC = 5.37
- CD = 6.04
- DE = 3.23
- EF = 8.58
- FG = 2.41
- GH = 6.73
- HI = 3.03
- IJ = 7.13