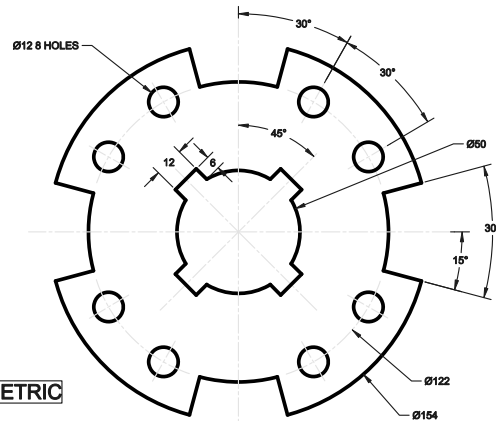
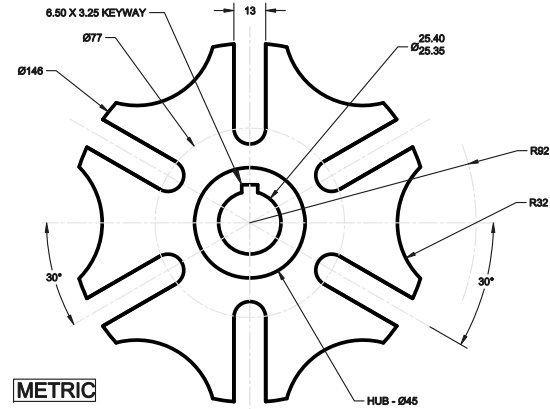


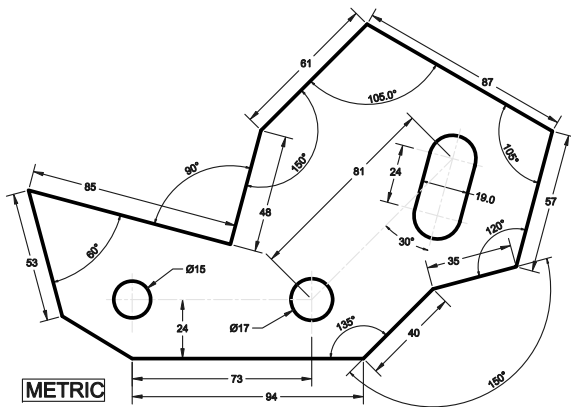
PROBLEM #14 - CARBURATOR GASKET



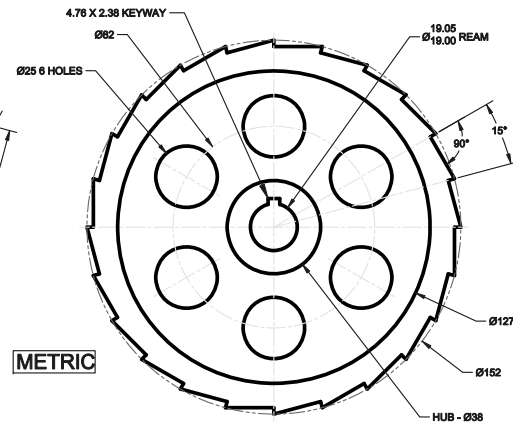
PROBLEM #15 - FRICTION PLATE



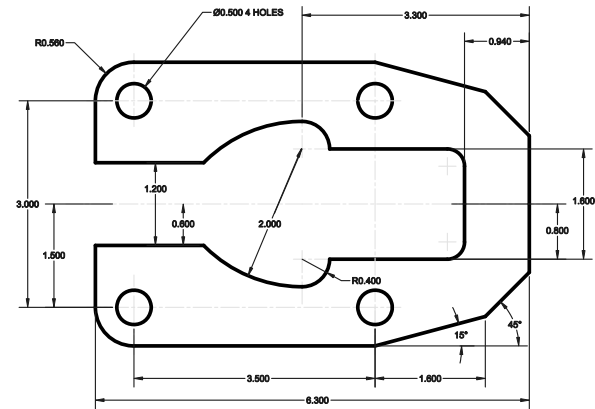
PROBLEM #17 - GENEVA CAM



PROB #18 - SHEAR PLATE



PROBLEM # 16 - RATCHET WHEEL



PROBLEM #19 - LATCH PLATE

DRAWN BY:
 DATE: PERIOD:
 4A
 SCALE:
 CHECKED BY:
 SCORE: