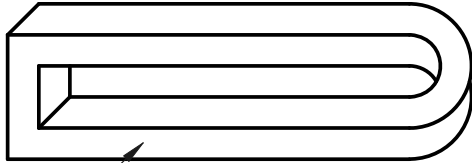
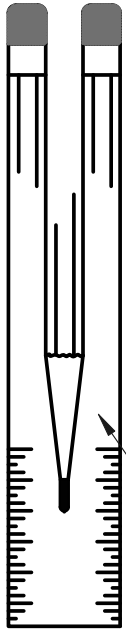


**NOTICE TO PERSON RECEIVING THIS DRAWING**

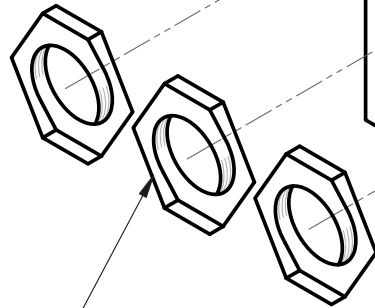
THIS DRAWING IS ISSUED IN CONFIDENCE FOR ENGINEERING INFORMATION ONLY AND MAY NOT BE USED TO MANUFACTURE ANYTHING SHOWN HEREON WITHOUT DIRECT PERMISSION.



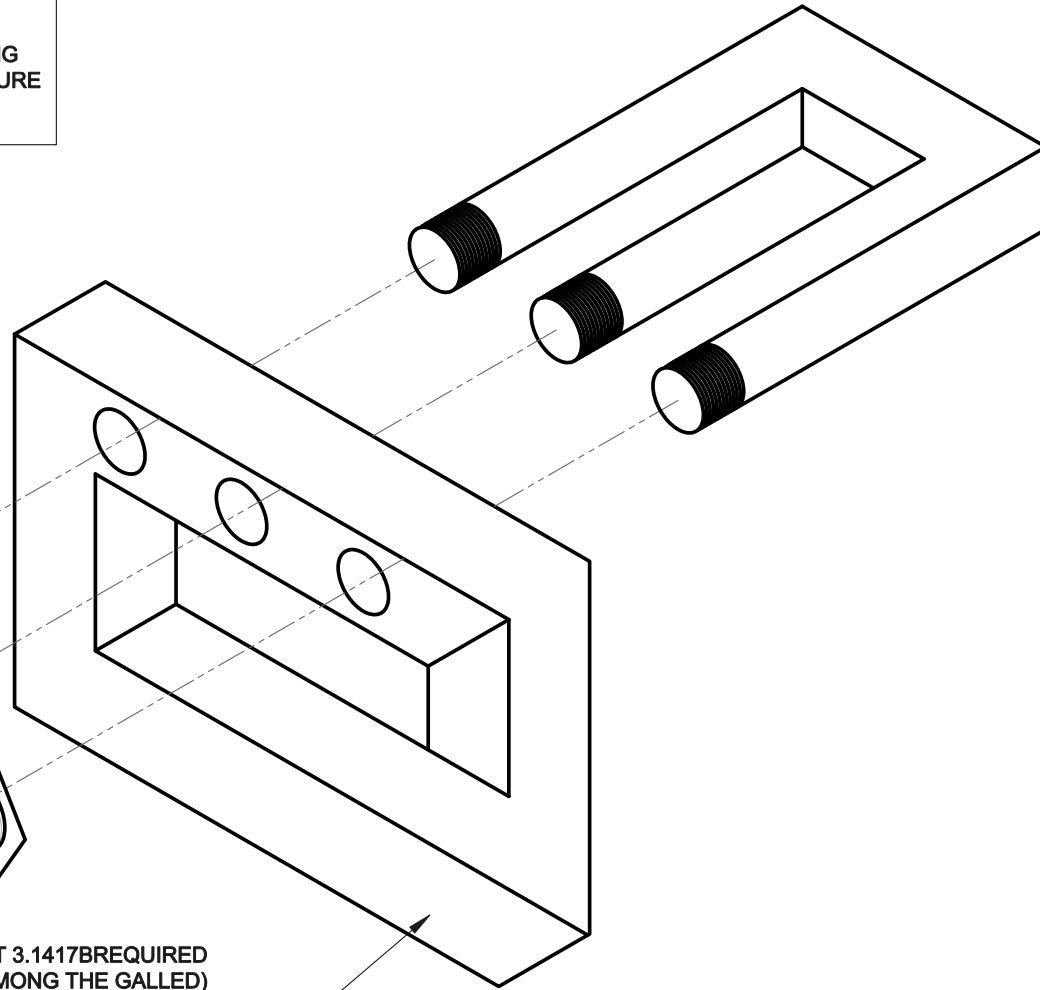
RELEX SOLID-FAK  
MECHANICAL AMPLALIER



TRICKOMETRIC DOPACATOR



AMBIHELICAL HEXNUT 3.1417BREQUIRED  
(SILVER THREADS AMONG THE GALLED)



RECTANGULAR EXCRUSION SUPPORT

ACTIVE CONSULTANTS  
ELECTRICAL-ELECTRONIC INDUSTRIAL AUTOMATION

MOUNTAIN VISTA HIGH SCHOOL  
TECHNICAL DRAWING - AUTOCAD-ISOMETRIC DRAWING

DRAWING TITLE:  
GONKALATER ARMATURE

DRAWN BY:  
I.M. CONFUSED

DATE: PERIOD:

SCALE:  
1:1

CHECKED BY:  
I.M. TOO

SCORE:

SHEET

1

OF 1